

● **Features:**

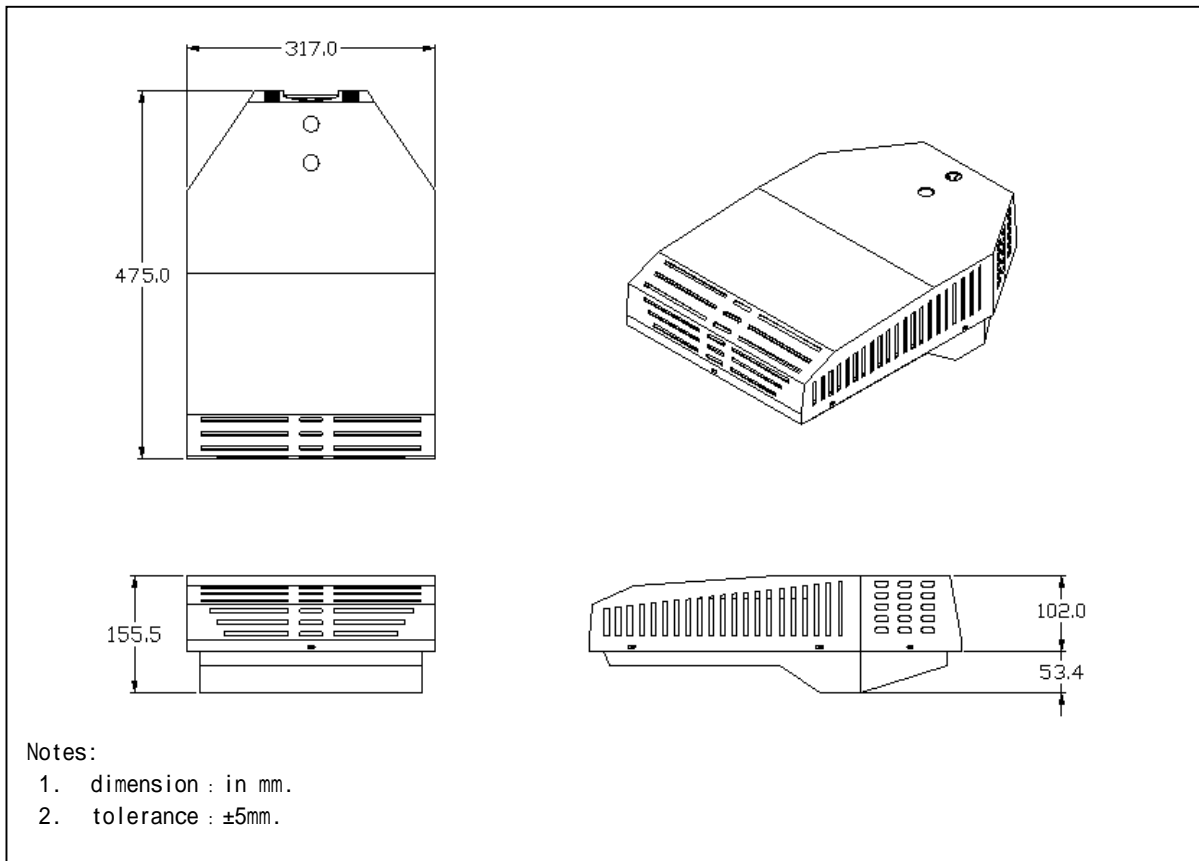
1. High efficiency energy saving, Power Consumption 100W.
2. Batwing type optical pattern: The peak angle of intensity lies at angles as wide as $\pm 55^\circ$ along the street direction.
3. Patented thermal design is utilized for improving lighting efficiency, reducing flux decay, and extending life time.
4. Wide input voltage: 90~264 Vac; high power factor >0.9 ; high power efficiency $> 90\%$.
5. Short turn-on time and no glimmers.
6. Light weight, easy installation.
7. Green product, RoHS standard conformed.
8. Waterproof level : IP65.



● **Applications and Constructions :**

1. Streetlight with wide beam angle.
2. Bended-arm and installed with a pole of 60mm in diameter.

● **Outline Dimensions :**



- **Electrical & Optical Characteristics:**

Parameter	Symbol	Rating
Input Voltage	V_{IN}	90~264VAC
Input Power	P_D	100 W
Total Luminous Flux	Φ_v	5,500 lm(typ.)
Color Temperature	CCT	4500~6000 K
Operating Temperature	T_{opr}	-30~+40
Power Factor	PF	>0.9
Max Candela Angle	θ_{peak}	$\pm 55^\circ$
Water Proof		IP65
Life time		>20,000 hrs
Dimension		475x317x155.5 mm
Weight		6.4 kg

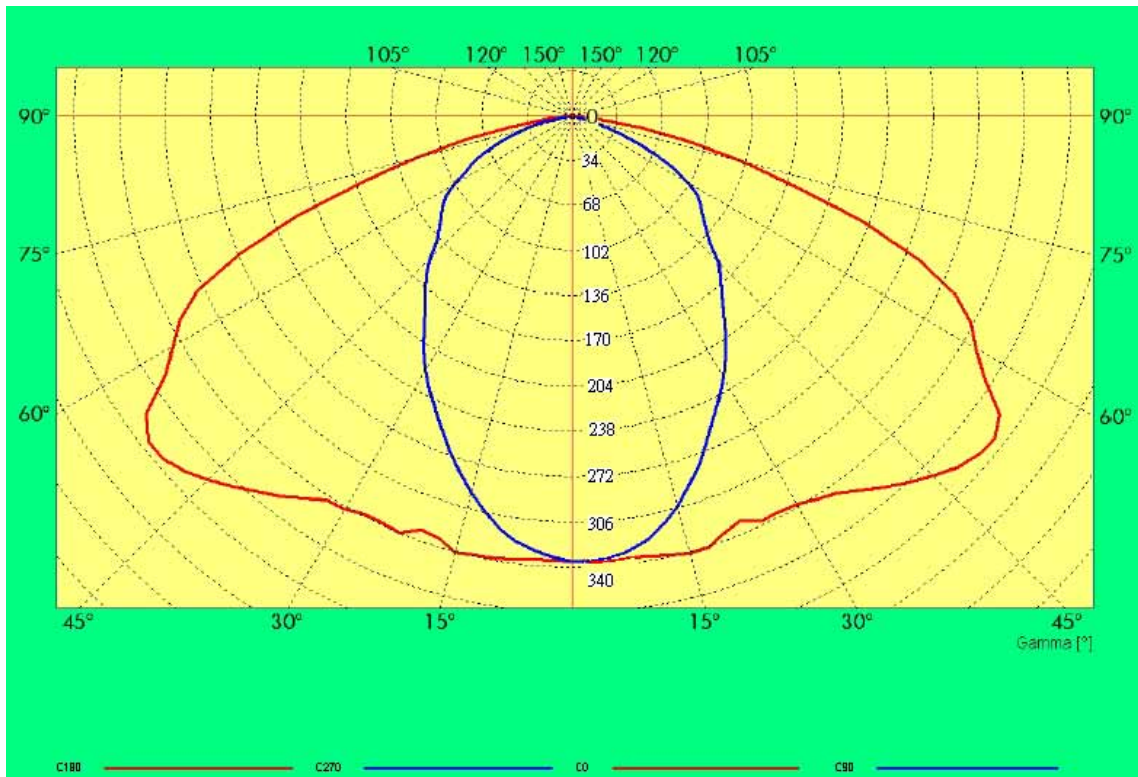
- **Luminaire Performance:**

Luminaire Height (m)	Illumination (lux)	Diameter of Coverage Area (m)
7	40	35
8	30	40
9	24	45
10	19	50
11	16	55
12	13	60

Notes: The illumination is the value at the position under the luminaire

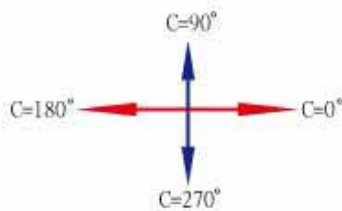
● Polar Candela Distribution

Unit:cd/klm



● Setting for Streetlight

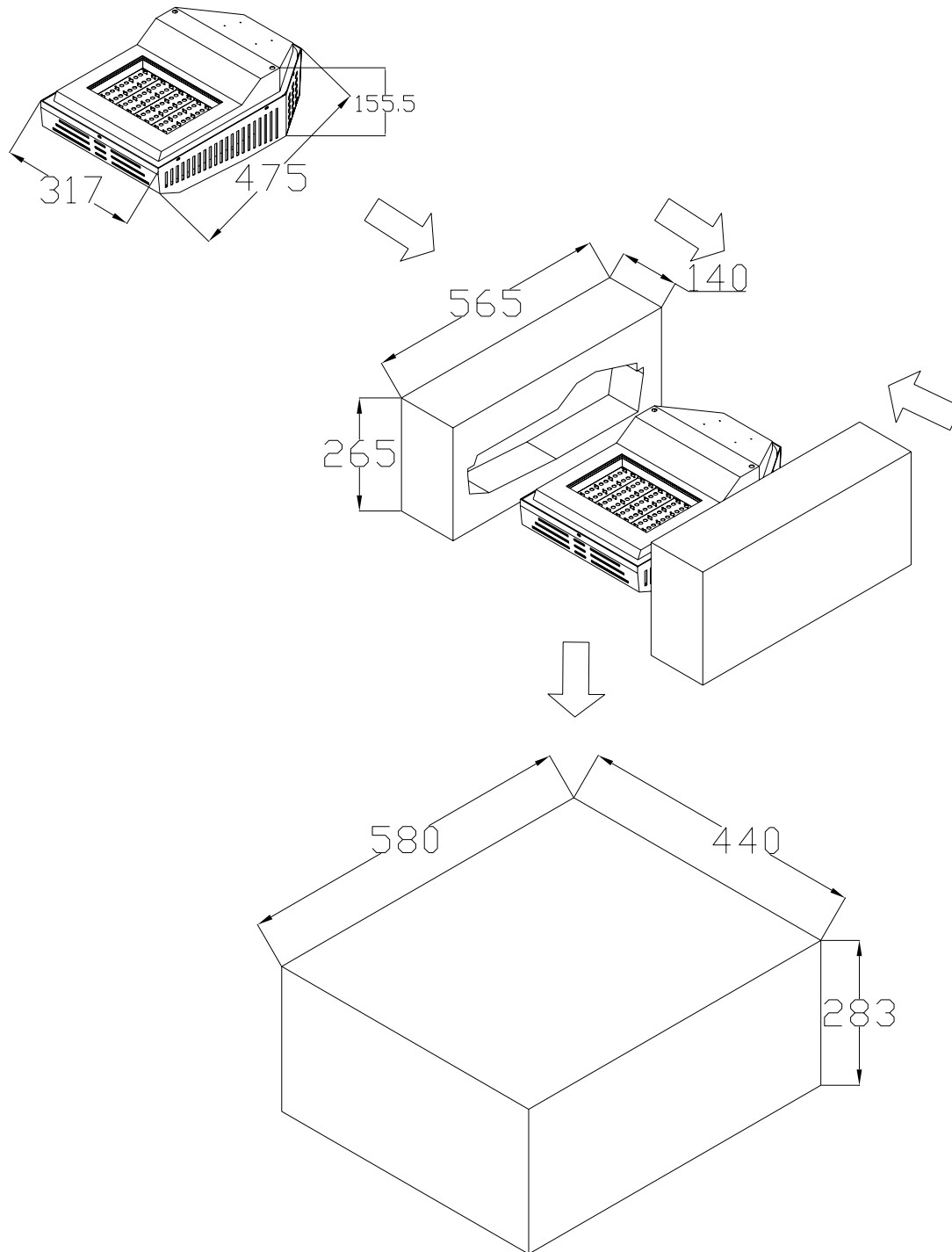
(Lighting radiant plane is underneath the streetlight)



● ITRI's Testing Report



● Packing:



Notes:

1. Dimension : in mm.
2. Tolerance : $\pm 10\text{mm}$